

FEATURES :

- Universal Input 90~264VAC
- High Efficiency at 80% Typical
- Protection: Short Circuit /Overload/Over Voltage
- Internal Input Filter
- 3 Years Warranty

Specifications typical at TA=25°C, nominal input voltage and rated output current unless otherwise specified

Part Number	Output Voltage (V)	Output Current(A)			Voltage Accuracy (%)	Line Reg. (%)	Load Reg. (%)	Efficiency (%)
		Convection cooled						
		MIN	RATED	MAX				
GB040-D0512	5(Vo1)	0.64	3.2	5.0	±3	±1	±3	79
	12(Vo2)	0.4	2.0	2.5	±5	±2	±5	
GB040-D0524	5(Vo1)	0.4	3.2	5.0	±3	±1	±3	80
	24(Vo2)	0.2	1.0	1.5	±5	±2	±5	
GB040-T051205	5(Vo1)	0.4	3.0	5.0	±3	±1	±3	75
	12(Vo2)	0.2	2.0	2.5	±5	±2	±5	
	-5(Vo3)	0	0.3	0.5	±5	±1	±5	
GB040-T051212	5(Vo1)	0.4	3.0	5.0	±3	±1	±3	75
	12(Vo2)	0.2	2.0	2.5	±5	±2	±5	
	-12(Vo3)	0	0.3	0.5	±5	±1	±5	
GB040-T051515	5(Vo1)	0.4	3.0	5.0	±3	±1	±3	75
	15(Vo2)	0.2	2.0	2.5	±5	±2	±5	
	-15(Vo3)	0	0.3	0.5	±5	±1	±5	
GB040-T052412	5(Vo1)	0.4	3.0	5.0	±3	±1	±3	75
	24(Vo2)	0.2	2.0	2.5	±5	±2	±5	
	-12(Vo3)	0	0.3	0.5	±5	±1	±5	
GB040-T052405	5(Vo1)	0.4	3.0	5.0	±3	±1	±3	75
	24(Vo2)	0.2	1.0	1.5	±5	±2	±5	
	-5(Vo3)	0	0.3	0.5	±5	±1	±5	
GB040-T030512	3.3(Vo1)	0.4	5.0	7.0	±3	±1	±3	70
	5(Vo2)	0.2	2.0	3.5	±5	±2	±5	
	-12(Vo3)	0	0.3	0.5	±5	±1	±5	

Input Specifications

Parameters	Conditions	Min	Typ	Max	Units
Rated Input Voltage	Io nom		100~240		Vac
Voltage Range	Io nom	90		264	Vac
Frequency		47	50/60	63	Hz
Inrush Current	At 100Vac			20	A
	At 240Vac			40	A
Input Fuse		VDE/UL/CCC FUSE 2.5A/250V			

YUAN DEAN SCIENTIFIC



AC-DC Converter

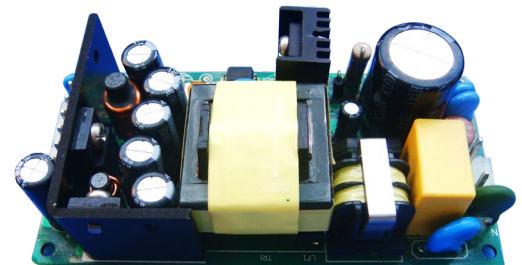
GB040 SERIES

40Watt

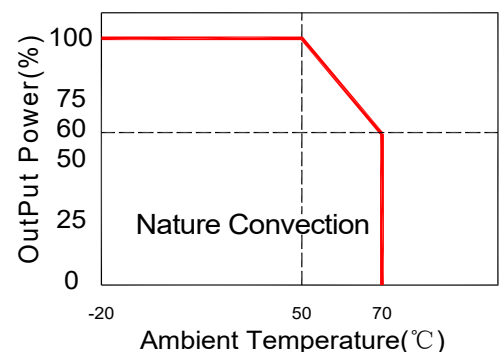
3KVac Isolated

Dual & Triple Output

Open Frame



Temperature Derating Graph



www.yds.com.tw



TEL : 886-6-3842899 FAX : 886-6-3843288
E-MAIL : ydsweb@yds.com.tw

Rev:0 2017/12/28

Output Specifications

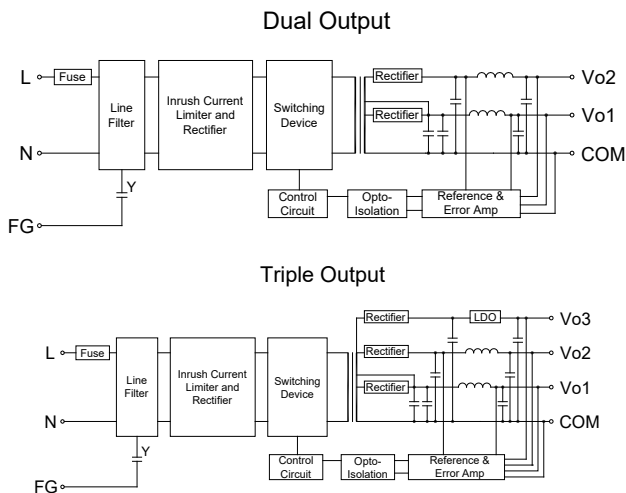
Parameters	Conditions	Min	Typ	Max	Units
Output Voltage Accuracy	Vi nom, Io nom(Full load)		See models list		
Minimum Load	Vi nom		See models list		
Protection	Over Load	Above 110% rated output power			
		Protection type: Recovers automatically after fault condition is removed			
	Over Voltage(Main Output)	120%-150% rated output Voltage			
Ripple & Noise	Vi nom, Io nom BW=20MHz	Main output		100	mVp-p
		Supplement Output		150	mVp-p

Note :
Ripple & noise is measured by using 20 MHz bandwidth, measured with a 47uf paralleled with a high-frequency 0.47uf capacitor across each output by full load.

General Specifications

Parameters	Conditions	Min	Typ	Max	Units
Switching Frequency	Vi nom, Io nom		65		KHz
Isolation Voltage	Input / Output	3KVac/ 5mA/5Secs			
Isolation Resistance	Input / Output,@500 Vdc	100			MΩ
Operating Temperature	Operating at Vi nom, Io nom	-20		+70	°C
Derating	Vi nom, Io nom+51 to 71°C			2	%/°C
Storage Temperature	Non Operational	-40		+85	°C
Relative Humidity	Vi nom, Io nom			95	% RH
Dimension		L101.60 x W50.80 x H31.0			mm
Cooling		Free air convection			

Circuit Schematic

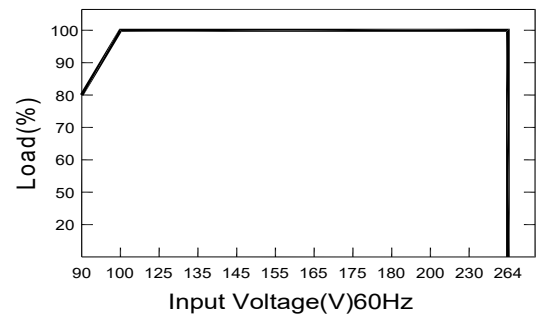


Part Number

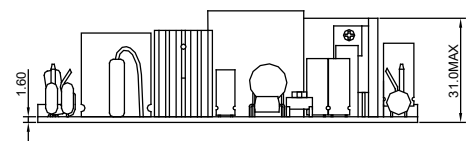
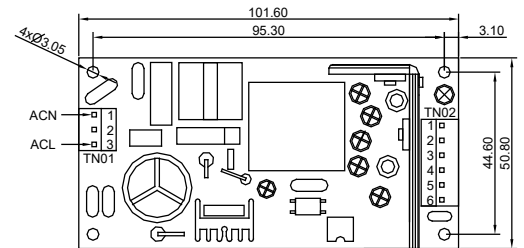
GB040 - T 051205
A B C

A : Series
B : Dual(D);Triple(T)
C : Output Voltage

Output Derating VS Input Voltage



Markings and Dimensions



Unit : mm

Unless otherwise specified, all tolerances are ±0.50

Notes:

1. Input connector mates with Molex housing 09-50-3031 and Molex 2478 series crimp terminal.
2. Output connector mates with Molex housing 09-50-3061 and Molex 2478 series crimp terminal.

TN01	Model
PIN	Dual/Triple OUTPUT
1	ACN
2	No Pin
3	ACL
TN02	
1	Vo2
2	Vo1
3	Vo1
4	COM
5	COM
6	Vo3

