

**FEATURES :**

- 20 Watt DIL Package
- 2:1Wide Input Voltage
- 100% Burned In
- High Efficiency to 85%
- Customized Solutions Available
- Remote Control: On/Off
- UL94V-0 Package Material
- Operating Temperature:-40°C to +85°C
- 3 Years Warranty

Specifications typical at TA=25°C, nominal input voltage and rated output current unless otherwise specified

Part Number	Input Voltage	Input Current		Output Voltage	Output Current	Efficiency
	Vdc	No Load (mA TYP)	Full Load (mA TYP)	Vdc	Full Load (mA)	%TYP
95D-12S03RNL	9-18	25	1890	3.3	5500	80
95D-12S05RNL	9-18	25	2032	5	4000	82
95D-12S12RNL	9-18	25	1964	12	1670	85
95D-12S15RNL	9-18	25	1955	15	1330	85
95D-24S03RNL	18-36	20	945	3.3	5500	80
95D-24S05RNL	18-36	20	1016	5	4000	82
95D-24S12RNL	18-36	20	982	12	1670	85
95D-24S15RNL	18-36	20	977	15	1330	85
95D-24D12RNL	18-36	20	991	±12	±833	84
95D-24D15RNL	18-36	20	991	±15	±666	84
95D-48S03RNL	36-72	15	472	3.3	5500	80
95D-48S05RNL	36-72	15	508	5	4000	82
95D-48S12RNL	36-72	15	491	12	1670	85
95D-48S15RNL	36-72	15	488	15	1330	85
95D-48D12RNL	36-72	15	495	±12	±833	84
95D-48D15RNL	36-72	15	495	±15	±666	84

**Input Specifications**

Parameters	Conditions	Min	Typ	Max	Units
Voltage Types				2:1	
Filter	Pi TYPE				

YUAN DEAN SCIENTIFIC



DC-DC Converter

95D SERIES

20Watt 1.5KV Isolated

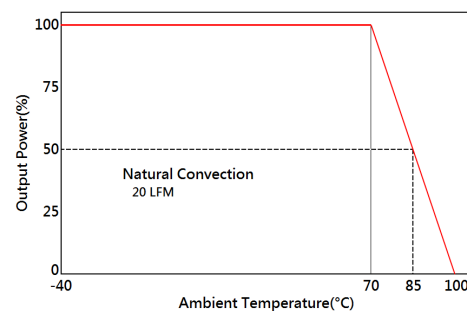
2 : 1 Input Voltage Range

Single & Dual Output

2" x 2"



Temperature Derating Graph



www.yds.com.tw



TEL : 886-6-3842899 FAX : 886-6-3843288  
E-MAIL : ydsweb@yds.com.tw

Rev:0 2018/10/31

Output Specifications

Parameters	Conditions	Min	Typ	Max	Units
Voltage Tolerance	Full load @Vin(nom.)			±2	%
Short Circuit Protection	Hiccup, automatic recovery				
Line Regulation				±0.5	%
Load Regulation	Single(25% to 100% load)			±0.5	%
Load Regulation	Dual(Balance load), 25% to 100% load			±2.0	%
Cross Regulation	Dual (25% to 100% load)			±5.0	%
Ripple & Noise	BW=DC To 20MHz			100	mVp-p
Transient response setting time	25% load step change		350		us

General Specifications

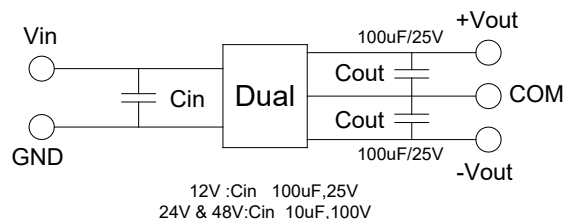
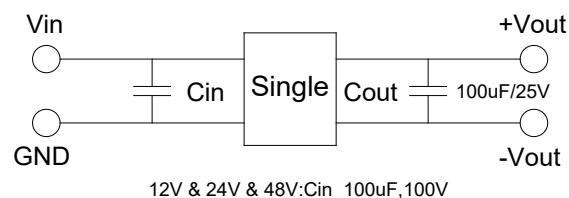
Parameters	Conditions	Min	Typ	Max	Units
Isolation Resistance	500Vdc	1000			MΩ
Switching Frequency			300		KHz
Operating Temperature		-40		85	°C
Humidity	Non Condensing			95	%
Cooling	Natural Convection (20LFM)				
Case material	Nickel Coated with Non-Conductive Base				
Weight			55		g
Dimensions	Package 1		51.4x41.6x12.3		mm
	Package 2		51.0x51.0x10.3		mm
Potting Material	Epoxy (UL94V-0 rated)				
Radiated Emissions	EN55022		CLASS A		
Conducted Emissions	EN55022		CLASS A		

Part Number

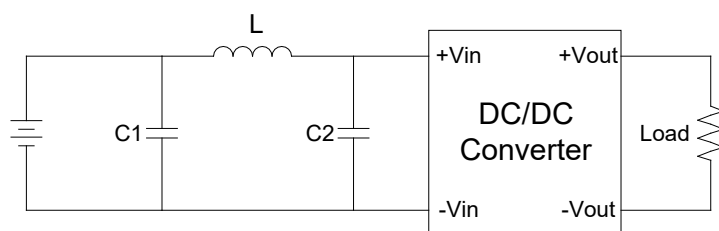
95D - 24 S 05 R 2 NL  
A B C D E F G

- A: Series
- B: Input Voltage
- C: Single Output (S),Dual (D)
- D: Output Voltage
- E: Regulated(R)
- F: Package
- G: RoHs Version

Recommended Test Circuit



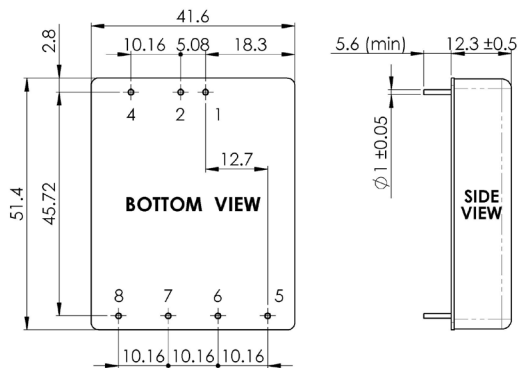
Suggest adding input external filter(C1,C2,C3,C4,C5,L) to meet conducted emissions (EN55022 class A) requirement for the module . These components should be mounted as close as possible to the module; and all leads should be minimized to decrease radiated noise.



12V: C1 C2 =330uF/100V  
L=12uH  
24V.48V: C1 C2 =220uF/100V  
L=12uH

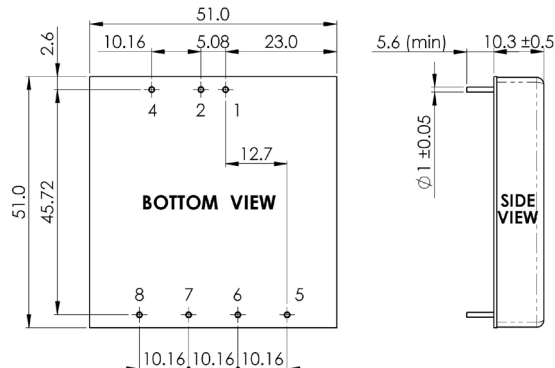
Dimensions

Standard Model (-RNL)



Unit : mm  
Tolerance : XX.X ± 0.5 , XX.XX ± 0.25

Extended Model (-R2NL)



Unit : mm  
Tolerance : XX.X ± 0.5 , XX.XX ± 0.25

PIN Assignment

Pin	1	2	3	4	5	6	7	8
Single	+Vin	-Vin	No Pin	Remote On/Off	NC	+Vout	-Vout	Trim
Dual	+Vin	-Vin	No Pin	Remote On/Off	+Vout	Com	-Vout	Trim