

FEATURES :

- 20 Watt DIL Package
- 2:1Wide Input Voltage
- 100% Burned In
- High Efficiency to 86%
- Customized Solutions Available
- Remote Control: On/Off
- UL94V-0 Package Material
- Operating Temperature:-40°C to +82°C
- 3 Years Warranty

Specifications typical at TA=25°C, nominal input voltage and rated output current unless otherwise specified

Part Number	Input Voltage		Input Current (mA TYP)		Output Voltage	Output Current	Efficiency	Capacitor load
	Vdc	No Load	Full Load	Vdc	Full Load (mA)	%TYP	uF MAX	
95D-12S03B3NL	9-18	70	1800	3.3	5500	84	1500	
95D-12S05B3NL	9-18	70	1937	5	4000	86	1500	
95D-12S12B3NL	9-18	30	1941	12	1670	86	120	
95D-12S15B3NL	9-18	30	1933	15	1330	86	120	
95D-12D05B3NL	9-18	70	1984	±5	±2000	84	±1000	
95D-12D12B3NL	9-18	30	1964	±12	±835	85	±120	
95D-12D15B3NL	9-18	30	1955	±15	±665	85	±120	
95D-24S03B3NL	18-36	70	900	3.3	5500	84	3300	
95D-24S05B3NL	18-36	70	968	5	4000	86	3300	
95D-24S12B3NL	18-36	30	970	12	1670	86	330	
95D-24S15B3NL	18-36	30	966	15	1330	86	330	
95D-24D05B3NL	18-36	70	992	±5	±2000	84	±2000	
95D-24D12B3NL	18-36	30	982	±12	±835	85	±330	
95D-24D15B3NL	18-36	30	977	±15	±665	85	±330	
95D-48S03B3NL	36-75	40	450	3.3	5500	84	5600	
95D-48S05B3NL	36-75	40	484	5	4000	86	5600	
95D-48S12B3NL	36-75	30	485	12	1670	86	680	
95D-48S15B3NL	36-75	30	483	15	1330	86	680	
95D-48D05B3NL	36-75	40	496	±5	±2000	84	±3300	
95D-48D12B3NL	36-75	30	491	±12	±835	85	±220	
95D-48D15B3NL	36-75	30	488	±15	±665	85	±220	

Input Specifications

Parameters	Conditions	Min	Typ	Max	Units
Voltage Types				2:1	
Filter			Pi TYPE		

YUAN DEAN SCIENTIFIC



DC-DC Converter

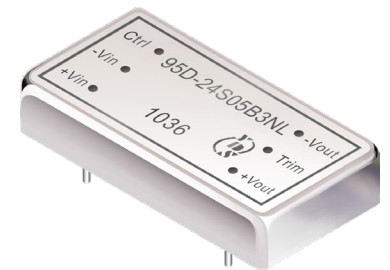
95D-B3 SERIES

20Watt 1.5KV Isolated

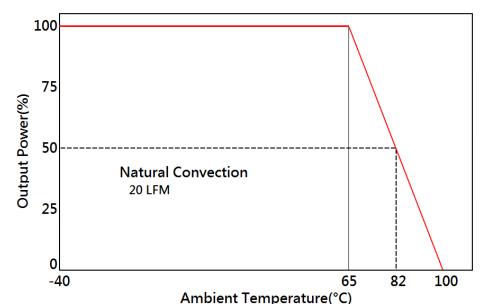
2 : 1 Input Voltage Range

Single & Dual Output

2" x 1"



Temperature Derating Graph



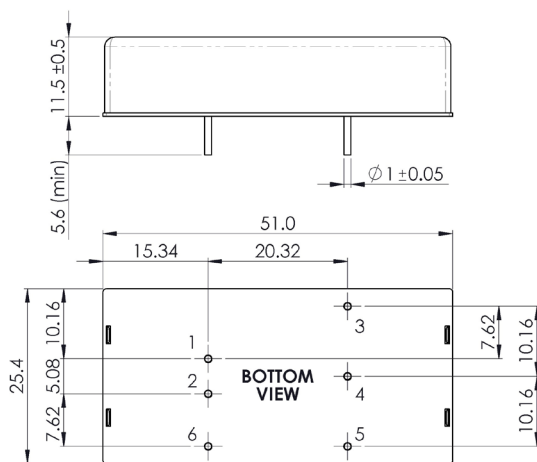
Output Specifications

Parameters	Conditions	Min	Typ	Max	Units
Voltage Tolerance	Full load@Vin(nom.)			±2	%
Short Circuit Protection	Hiccup, automatic recovery				
Line Regulation				±0.5	%
Load Regulation	Single			±0.5	%
	Dual(Balance Load)			±1	%
Cross Regulation	Dual (25% to 100% load)			±5	%
Ripple & Noise	Output:3-15V TYPES BW=DC To 20MHz			100	mVp-p
	Output > 15V TYPES BW=DC To 20MHz			1% of Vout	mVp-p
Transient response setting time	25% load step change		300		us

General Specifications

Parameters	Conditions	Min	Typ	Max	Units
Isolation Voltage			1500		Vdc
Isolation Resistance	500Vdc	1000			MΩ
Switching Frequency			300		KHz
Operating Temperature	With derating	-40		82	°C
Storage Temperature		-55		125	°C
Humidity	Non Condensing	5		95	%
Cooling	Natural Convection (20LFM)				
Case material	Nickel coated copper with plastic base				
MTBF	MIL-HDBK-217F@25°C	659000			Hours
Weight			32.6		g
Dimensions			50.8x25.4x11.5		mm

Dimensions



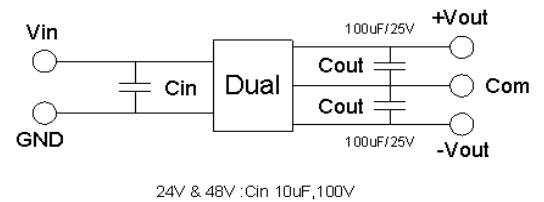
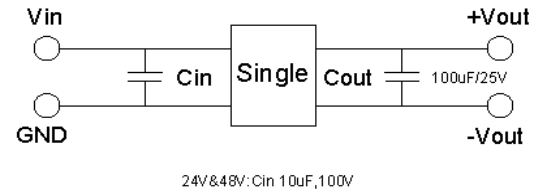
Unit : mm
Tolerance : XX.X ± 0.5 , XX.XX ± 0.25

Part Number

95D- 24 S 05 B 3 NL
A B C D E F G

- A: Series**
- B: Input Voltage**
- C: Single Output**
- D: Output Voltage**
- E: Version**
- F: Package**
- G: RoHs Version**

Recommended Test Circuit



PIN Assignment

Pin	1	2	3	4	5	6
Single	+Vin	-Vin	+Vout	Trim	-Vout	Remote On/Off
Dual	+Vin	-Vin	+Vout	Com	-Vout	Remote On/Off