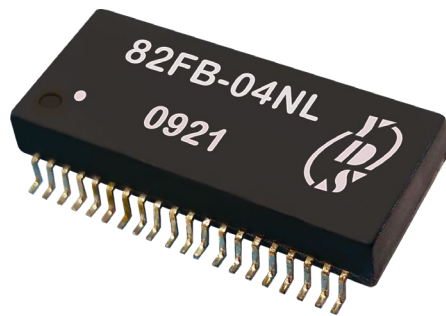


FEATURES:

- Designed for Ethernet 10/100/1000BASE-T Applications
- Supports 4 Pairs of Category 5 UTP Cable
- Cable Interface for Isolation and Low Common Mode Emissions
- Compliant with IEEE 802.ab Standard for 1000BASE-T
- Recognized by UL 60950-1



YUAN DEAN SCIENTIFIC



LAN Filters

82FB SERIES

10/100/1000 Base-T

48PIN SOIC



Electrical Specifications@25°C-Operating Temperature -40°C to +85°C

Part Number	Insertion Loss (dB MAX)	Return Loss (dB min @100 Ω)					Differential to Common Mode Rejection (dB TYP)			Crosstalk (dB TYP)			Hipot (Vrms) @60Hz
		0.3-100 MHz	1-30 MHz	40 MHz	50 MHz	60-80 MHz	100 MHz	30 MHz	60 MHz	100 MHz	30 MHz	60 MHz	
82FB-01ENL	-1.0	-16	-14.4	-13.1	-12	-10	-45	-40	-35	-43.5	-37.5	-33	1500
82FB-02NL	-1.0	-18	-14	-13	-12	-10	-43	-37	-33	-40	-35	-30	1500

www.yds.com.tw



TEL : 886-6-3842899

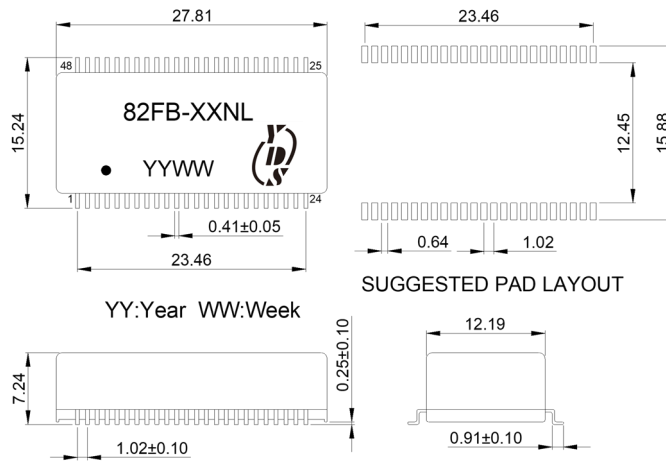
FAX : 886-6-3843288

E-MAIL: ydsweb@yds.com.tw

Rev: 1 2020/8/10

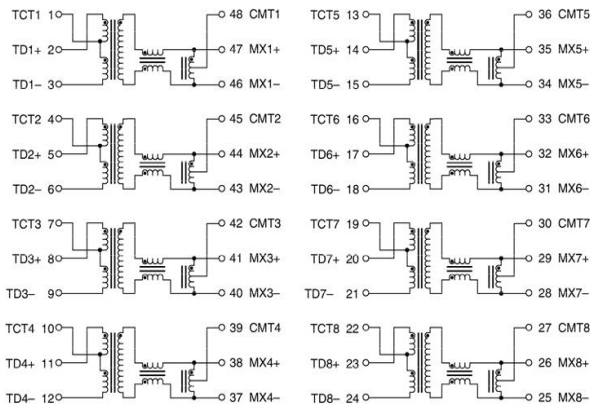
Mechanicals and Dimensions

82FB(Bottom Potting)



Schematics

82FB-01



82FB-02

