

FEATURES:

- Symmetrical TX and RX channels for Auto MDI/MDIX capability
- Compliant with IEEE 802.3u and ANSI X3.263 standards including 350 μ H OCL with 8 mA bias
- Designed for reflow soldering at temperatures up to 235°C

YUAN DEAN SCIENTIFIC



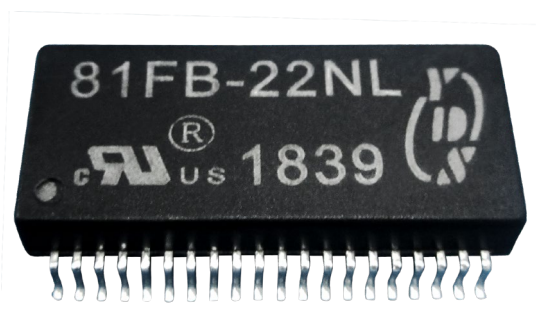
LAN Filters

81FB-2X SERIES

10/100 Base-Tx

For Auto MDI/MDIX

40PIN SOIC



Electrical Specifications@25°C-Operating Temperature -40°C to +85°C

Part Number	Insertion Loss (dB MAX)	Return Loss (dB MIN)				Crosstalk (dB TYP)				Differential to Common Mode Rejection (dB MIN)		Hipot Vrms MIN
		.1-100 MHz	2-30 MHz	40 MHz	50 MHz	60-80 MHz	1 MHz	30 MHz	60 MHz	100 MHz	1-60 MHz	
81FB-22NL	-0.5	-18	-14.4	-13.1	-12	-	-	-	-	-	-	1500
81FB-22CNL	-1.4	-18	-14.4	-13.1	-12	-55	-45	-40	-33	-37	-25	1500
81FB-24NL	-1.4	-16	-10	-10	-10	-35	-35	-30	-25	-	-	1500

www.yds.com.tw



TEL : 886-6-3842899

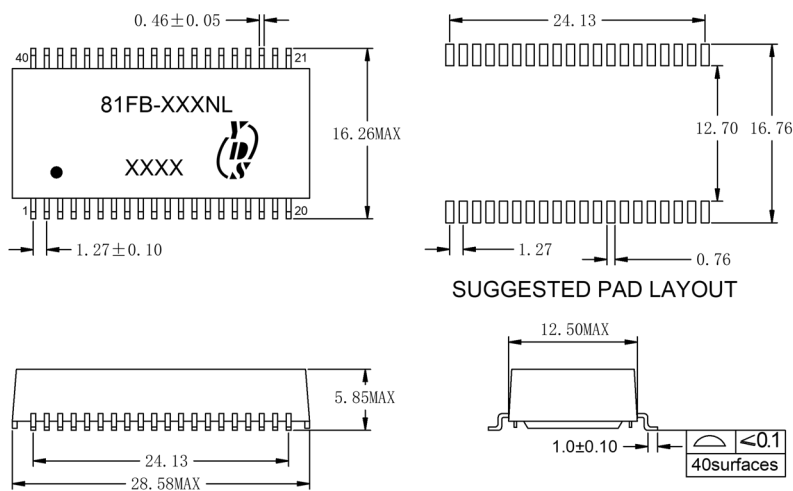
FAX : 886-6-3843288

E-MAIL: ydsweb@yds.com.tw

Rev: 1 2019/02/14

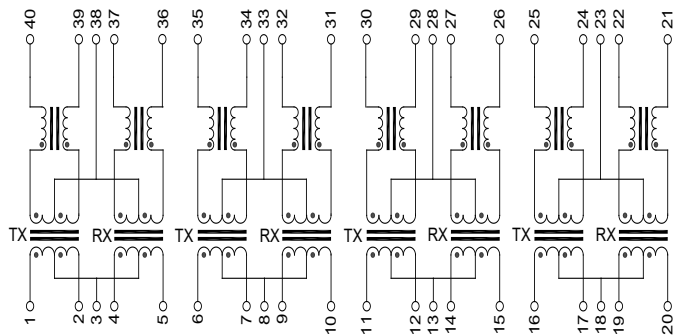
Mechanicals and Dimensions

81FB-2X(Bottom Potting)



Schematics

81FB-22,81FB-22C



81FB-24

