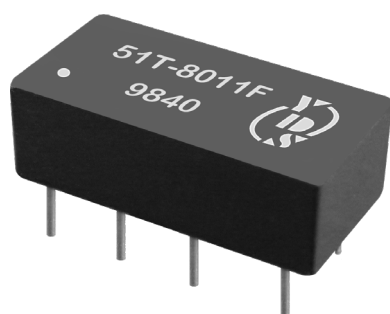


FEATURES:

- For T1/CEPT Telecom applications
- Provide 1500Vrms isolation
- Compact single and dual packages
- Designed to meet CCITT 7 & FCC
- Recognized by UL 1950

TEST CONDITIONS:

- Inductance -----100KHZ/20mV
- Leakage Inductance -----100KHZ/200mV
- Interwinding Capacitance --100KHZ/200mV



YUAN DEAN SCIENTIFIC



T1/CEPT/ISDN-PRI

Transformers

51T SERIES

Through Hole

1.5KVrms Isolation

Dual



Electrical Specifications@25°C

Part Number	Turns Ratio (±5%)	OCL@25°C (mH min.)	CW/W (pF max.)	LL (uH max.)	DCR Pri. (Ω max.)	DCR Sec. (Ω max.)	Package/Schematic	Primary Pins
Standard Temperature Range Dual Transformers-Operating Temperature 0°C to +70°C								
51T-1221ANL	1:2CT&1:2CT	1.20&1.20	35&35	0.50&0.50	0.70&0.70	1.20&1.20	HD/A	14-12,5-7
51T-1221BNL	1:2CT&1:1.36	1.20&1.20	35&35	0.50&0.80	0.80&0.80	1.20&1.00	HD/B	14-12,5-7
51T-2021CNL	1:2CT&1:2CT	2.00&2.00	50&50	0.60&0.60	1.00&1.00	2.00&2.00	HD/C	14-12,10-8
51T-1221DNL	1CT:2CT&1:1	1.20&1.20	30&30	0.3~0.5&0.5	0.70&0.70	1.20&0.70	HD/D	1-3,5-7
51T-8011ENL	1:1.26CT&1.58:1	0.80&0.80	30&30	0.50&0.50	0.60&0.60	0.70&0.30	HD/E	1-3,5-7
51T-8012ENL	1:1CT&2:1	0.80&0.80	30&30	0.60&0.60	0.50&0.50	0.50&0.20	HD/E	1-3,5-7
51T-1223ENL	1:1.31CT&2.62:1	1.20&1.20	30&30	0.8&0.80	0.60&0.60	0.50&0.30	HD/E	1-3,5-7
51T-1522ANL	1:1.15CT&1:2CT	1.50&1.20	35&40	0.60&0.50	0.70&0.70	1.10&1.30	TD/A	14-12,5-7
51T-1523ANL	1:1/1.26&1:2CT	1.50&1.20	40&40	0.50&0.40	0.70&0.70	0.90&1.30	TD/A	14-12,5-7

www.yds.com.tw



TEL : 886-6-3842899

FAX : 886-6-3843288

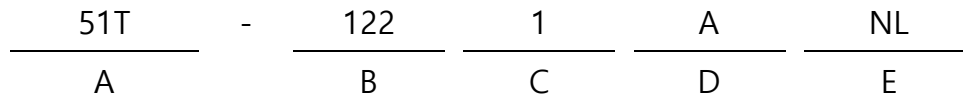
E-MAIL: ydsweb@yds.com.tw

Rev: 1 2018/11/14

Electrical Specifications @25°C

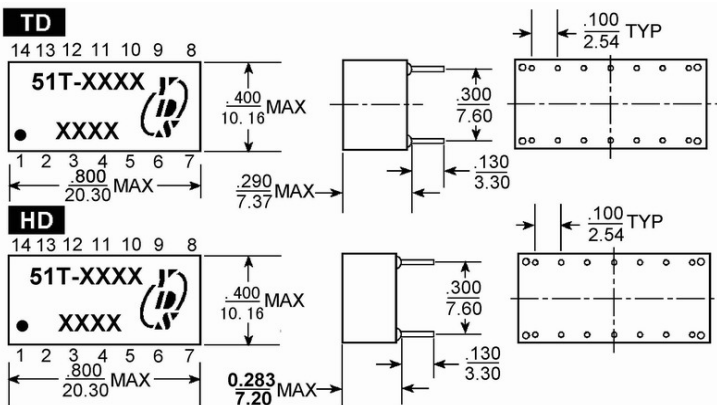
Part Number	Turns Ratio (±5%)	OCL@25°C (mH min.)	CW/W (pF max.)	LL (uH max.)	DCR Pri. (Ω max.)	DCR Sec. (Ω max.)	Package/ Schematic	Primary Pins
Standard Temperature Range Dual Transformers-Operating Temperature -40°C to +85°C								
51T-1522ATNL	1:1.15CT&1:2CT	1.50&1.20	40&60	0.80&0.80	0.90&0.90	1.00&1.70	TD/A	14-12,5-7
51T-1523ATNL	1:1/1.26&1:2CT	1.50&1.20	50&60	0.80&0.80	0.90&0.90	1.00&1.70	TD/A	14-12,5-7
51T-1221GTNL	1CT:2CT & 1:1.36CT	1.20&1.20	50&50	0.80&0.80	1.00&1.00	1.70&1.20	TD/G	14-12,5-7
51T-1221FTNL	1CT:1CT & 3CT:1CT:0.25	1.20&32.0	40&65	0.80&0.80	1.00&3.00	1.00&1.20	TD/F	1-3,11-9
51T-1222FTNL	1CT:1CT & 1CT:3CT:1	1.20&0.60	40&40	0.80&0.80	1.00&0.80	1.00&2.00	TD/F	1-3,4-6

Part Number



- A : Series
- B : Inductance
- C : Sequence id
- D : Schematic
- E : RoHS Version

Mechanicals and Dimensions



Schematics

