

**FEATURES :**

- 24PIN DIL Package
- High Efficiency up to 70%
- Regulated Output Types
- Low Ripple and Noise
- Internal SMD Construction
- No External Component Required
- Operating Temperature:-40°C to +85°C
- Industry Standard Pinout

Specifications typical at TA=25°C, nominal input voltage and rated output current unless otherwise specified

Part Number	Output Voltage	Output Current	Efficiency
	Vdc	mA	%Typ
45D-XXS05RNL	5	400	60
45D-XXS09RNL	9	222	60
45D-XXS12RNL	12	167	60
45D-XXS15RNL	15	133	60
45D-XXS24RNL	24	84	60
45D-XXD12RNL	±12	±84	60
45D-XXD15RNL	±15	±67	60
45D-XXD24RNL	±24	±42	60

**Note:**

- 1."XX" Is Input Voltage :05=5Vdc,09=9Vdc,12=12Vdc,15=15Vdc,24=24Vdc,36=36Vdc, 48=48Vdc.
- 2.The input voltage increases, there will be an increase in efficiency.

**Input Specifications**

Parameters	Conditions	Min	Typ	Max	Units
Voltage Tolerance	Vo,Io Nom			±10	%
Filter	Capacitor				

**Output Specifications**

Parameters	Conditions	Min	Typ	Max	Units
Voltage Tolerance	100% full load			±5	%
Short Circuit Protection	Continuous				
Short Circuit Protection	Automatic				
Line Regulation	Regulated			±0.3	%
Load Regulation	Regulated			±0.5	%
Ripple & Noise	BW=DC To 20MHz			50	mVp-p
Transient response setting time	50% load step change		350		us

YUAN DEAN SCIENTIFIC



DC-DC Converter

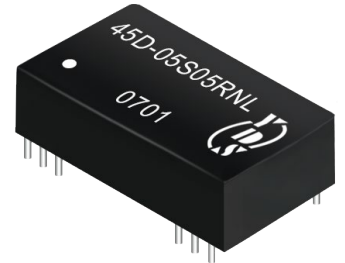
45D SERIES

2Watt

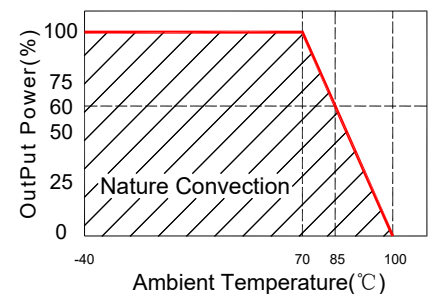
3KVrms Isolated

Single & Dual Output

DIL24



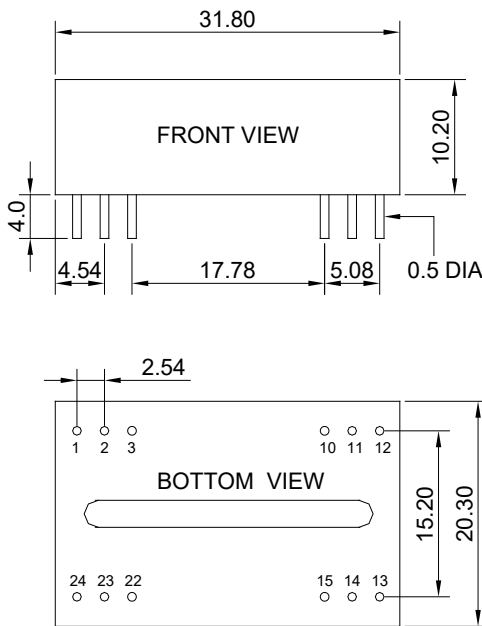
**Temperature Derating Graph**



General Specifications

Parameters	Conditions	Min	Typ	Max	Units
Isolation Resistance	500Vdc	1000			MΩ
Switching Frequency	Full load, nominal input		125		KHz
Operating Temperature		-40		+85	°C
Humidity	Non Condensing			95	%
Cooling	Free air Convection				
Case material	DAP				
MTBF	MIL-HDBK-217F@25°C	1500000			Hours
Weight			12.8		g
Dimensions		31.80x20.30x10.20			mm

Markings and Dimensions



Unit : mm Unless otherwise specified, all tolerances are ±0.25

PIN Connection

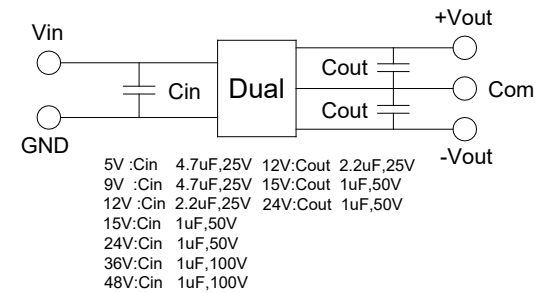
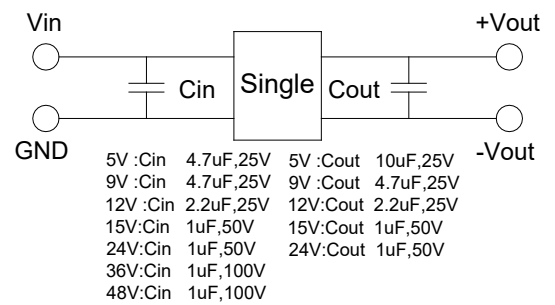
PIN	1.2.3	10.11	12	13	14	15	22.23.24
SINGLE	+Vin	NC	-Vout	+Vout	NC	NC	-Vin
DUAL	+Vin	COM	NC	-Vout	NC	+Vout	-Vin

Part Number

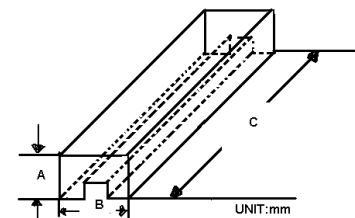
45D - 05 S 05 R NL  
A B C D E F

A:Series  
B:Input Voltage  
C:Single(S)Dual(D)  
D:Output Voltage  
E:Regulated(R)  
F:RoHS Version

Recommended Test Circuit



Packaging



Size(mm)		
A	B	C
18.71	23.00	52.2