

FEATURES :

- 2:1 Wide Input Voltages Range
- 16PIN DIL Package
- High Efficiency up to 83%
- Regulated Output Types
- Internal SMD Construction
- No External Component Required
- Operating Temperature:-40°C to +85°C
- Industry Standard Pinout

Specifications typical at TA=25°C, nominal input voltage and rated output current unless otherwise specified

Part Number	Input Voltage Range	Output Voltage	Output Current	Efficiency
	Vdc	Vdc	mA	%Typ
29D-05S03R	4.5-9	3.3	500	70
29D-05S05R	4.5-9	5	400	70
29D-05S12R	4.5-9	12	167	75
29D-05S15R	4.5-9	15	133	78
29D-05S24R	4.5-9	24	84	80
29D-12S03R	9-18	3.3	500	70
29D-12S05R	9-18	5	400	75
29D-12S12R	9-18	12	167	80
29D-12S15R	9-18	15	133	80
29D-12S24R	9-18	24	84	83
29D-24S03R	18-36	3.3	500	70
29D-24S05R	18-36	5	400	76
29D-24S12R	18-36	12	167	80
29D-24S15R	18-36	15	133	80
29D-24S24R	18-36	24	84	83
29D-05D05R	4.5-9	±5	±200	70
29D-05D12R	4.5-9	±12	±84	75
29D-05D15R	4.5-9	±15	±67	78
29D-05D24R	4.5-9	±24	±42	80
29D-12D05R	9-18	±5	±200	75
29D-12D12R	9-18	±12	±84	80
29D-12D15R	9-18	±15	±67	80
29D-12D24R	9-18	±24	±42	83
29D-24D05R	18-36	±5	±200	76
29D-24D12R	18-36	±12	±84	80
29D-24D15R	18-36	±15	±67	80
29D-24D24R	18-36	±24	±42	83

Input Specifications

Parameters	Conditions	Min	Typ	Max	Units
Voltage Tolerance	Vo, Io Nom			2:1	
Filter	Capacitor				

YUAN DEAN SCIENTIFIC



DC-DC Converter

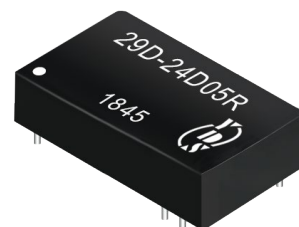
29D SERIES

2Watt

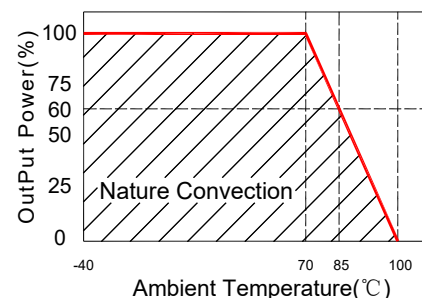
1.5KV Isolated

Single & Dual Output

DIL16



Temperature Derating Graph



Output Specifications

Parameters	Conditions	Min	Typ	Max	Units
Voltage Tolerance	100% full load			±2	%
Short Circuit Protection	Continuous				
Line Regulation	Regulated			±0.5	%
Load Regulation	Regulated			±0.8	%
Ripple & Noise	BW=DC To 20MHz			100	mVp-p
Transient response setting time	50% load step change		350		us

General Specifications

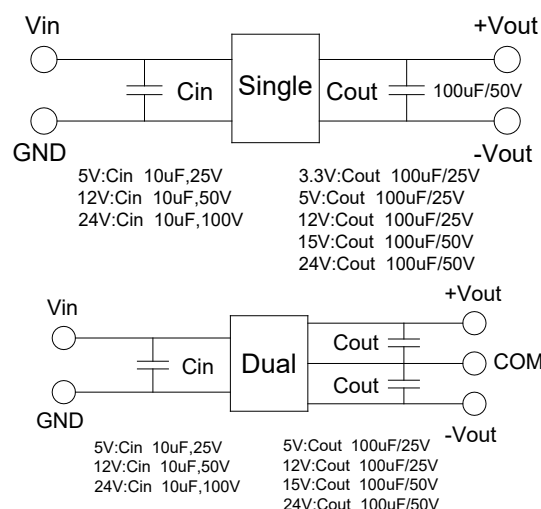
Parameters	Conditions	Min	Typ	Max	Units
Isolation Resistance	500Vdc	1000			MΩ
Switching Frequency	Full load, nominal input		100		KHz
Operating Temperature		-40		+85	°C
Humidity	Non Condensing			95	%
Cooling	Free air Convection				
Case material	DAP				
MTBF	MIL-HDBK-217F@25°C	1500000			Hours
Weight			5.2		g
Dimensions		24.1x14.35x8.25			mm

Part Number

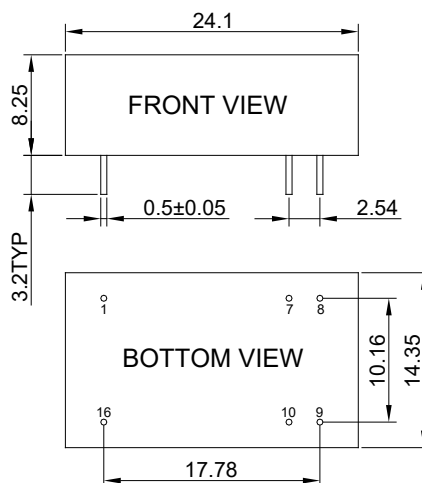
29D - 05 S 05 R
A B C D E

A:Series
B:Input Voltage
C:Single(S)Dual(D)
D:Output Voltage
E:Regulated(R)

Recommended Test Circuit



Markings and Dimensions



Unit : mm Unless otherwise specified, all tolerances are ±0.25

PIN Connection

PIN	1	7	8	9	10	16
Single	-Vin	NC	NC	+Vout	-Vout	+Vin
Dual	-Vin	NC	Com	+Vout	-Vout	+Vin