

FEATURES:

- Return loss meets requirements
- Six and eight transformers in a surface mount package
- Isolation voltage: 1500Vrms
- Recognized by UL 60950-1

YUAN DEAN SCIENTIFIC



T3/DS3/E3/STS-1
Transformers
15T-1 SERIES
1.5KVrms Isolated



Electrical Specifications@25°C

Part Number	Turns Ratio (±2%)	OCL Primary (mH Min)	OCL AT -40°C (mH Min)	LL (uH Max)	Cw/w (pF Max)	HI POT Vrms	Package Schematic	Primary Pins
15T-4001RNNL	1:1	40	-	0.150	10	1500	R/N	1-2,3-4,5-6,7-8,9-10, 11-12,13-14,15-16

Electrical Specifications@25°C- Operating Temperature -40°C to +85°C

Part Number	Turns Ratio (±2%)	OCL Primary (mH Min)	OCL AT -40°C (mH Min)	LL (uH Max)	Cw/w (pF Max)	HI POT Vrms	Package Schematic	Primary Pins
15T-4003XSCNL	1:2CT & 1:1	40	-	0.12	10	1500	X/S	40-38,37-36,35-33,32-31,30-28,27-26,25-23,22-21

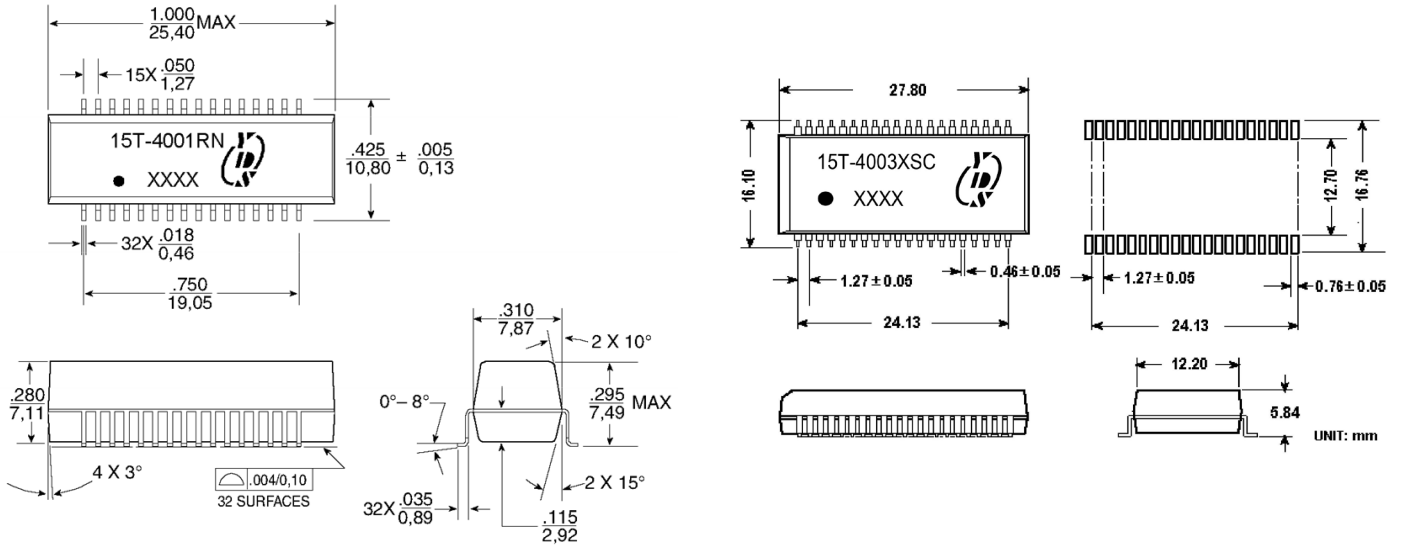
www.yds.com.tw


TEL: 886-6-3842899 FAX: 886-6-3843288

E-MAIL: ydsweb@yds.com.tw

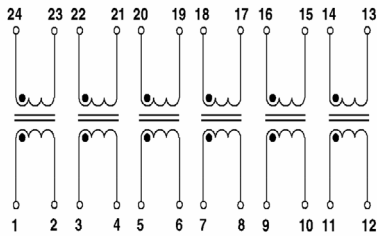
Rev: 1 2018/11/13

Mechanical

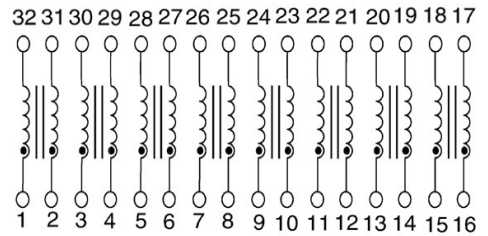


Schematics

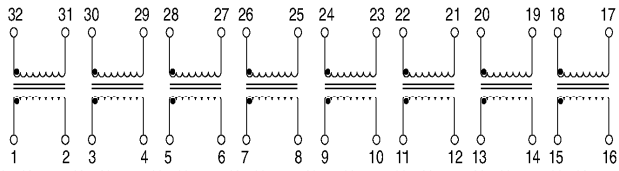
Q



M



N



S

