

FEATURES:

- Half port and single port designs for maximum layout flexibility
- Low profile packages from 0.094" (2.39 mm) to 0.078" (1.98 mm) for PC Card
- Recognized By UL 60950-1

YUAN DEAN SCIENTIFIC



LAN Filters

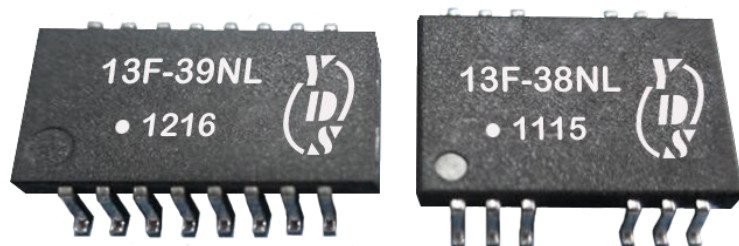
13F-3X SERIES

10/100 Base-T

PC Card

LAN Magnetics Modules

16PIN PCMCIA



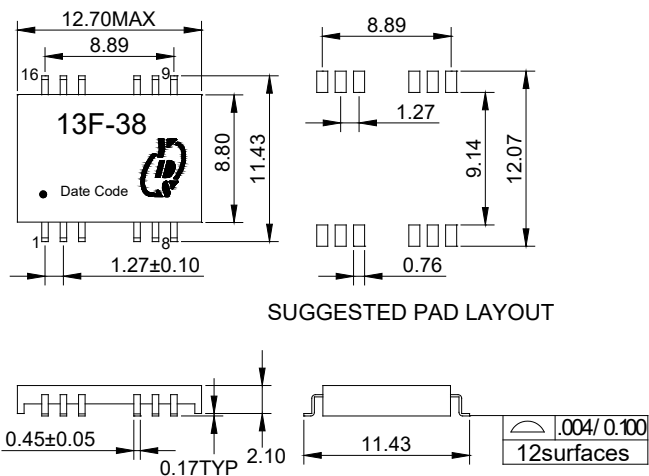
Electrical Specifications@25°C-Operating Temperature 0°C to 70°C

| Part Number | Turns Ratio(±5%) | | Insertion Loss (dB MAX.) | Return Loss (dB MIN.) | | | Differential to Common Mode Rejection (dB MIN.) | | | Crosstalk (dB MIN.) | | | Hipot V _{rms} MIN. |
|-------------|------------------|---------|--------------------------|-----------------------|--------|--------|---|--------|--------|---------------------|--------|--------|-----------------------------|
| | Transmit | Receive | | 0.3-100 MHz | 30 MHz | 60 MHz | 80 MHz | 30 MHz | 50 MHz | 100 MHz | 30 MHz | 62 MHz | |
| 13F-38NL | 1CT:1CT | 1CT:1CT | -1.0 | -17 | -12 | -10 | -30 | -30 | -30 | -40 | -35 | -30 | 1500 |
| 13F-39NL | 1CT:1CT | 1CT:1CT | -0.9 | -16 | -12 | -11 | -35 | -33 | -20 | -50 | -45 | -40 | 1500 |

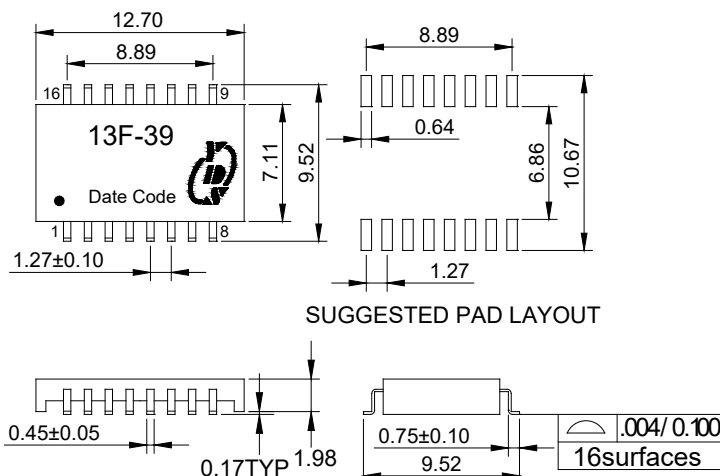


Mechanicals and Dimensions

13F-38



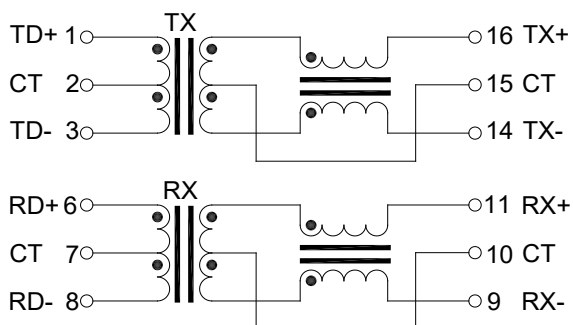
13F-39



UNIT: mm Unless otherwise specified, all tolerances are ±0.25

Schematics

13F-38



13F-39

