

FEATURES:

- For MAUs, hubs, and motherboard applications
- High performance for maximum EMI suppression
- Minimum 1500 Vrms isolation
- Compatible with multiple 10Base-T chips

YUAN DEAN SCIENTIFIC



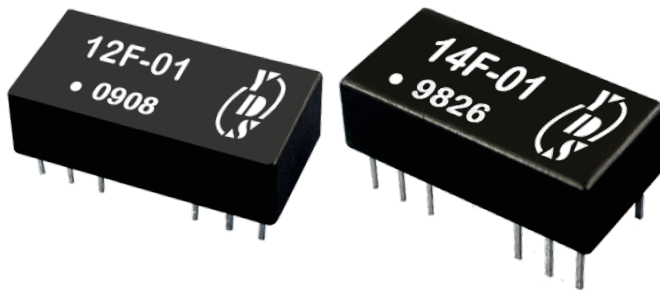
LAN Filters

12F/14F SERIES

10 Base-T

Through Hole Interface

16PIN DIL

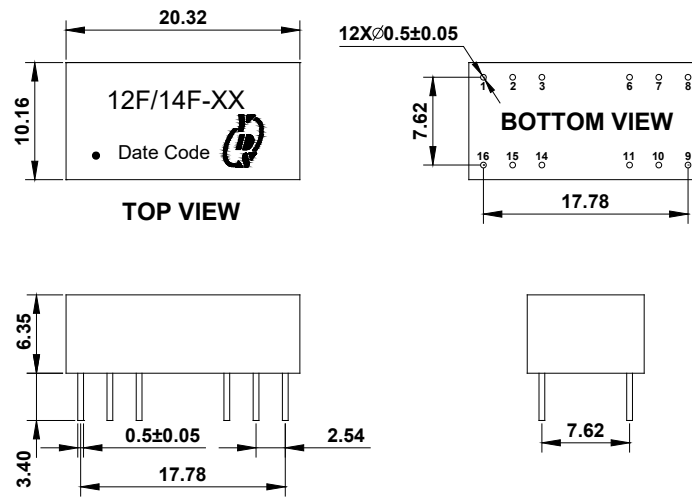


Electrical Specifications@25°C-Operating Temperature 0°C to 70°C

Part Number	Package Type (Pins)	Insertion Loss 1 to 10 MHz (dB max)	Attenuation (dB MIN)				Return Loss 1 to 10MHz 100Ω±15Ω (dB MIN)	Cross talk 1 to 30 MHz (dB MIN)	Common Mode Rejection (dB MIN)	
			30-50 MHz		50-100MHz				50MHz	100MHz
			TX	RX	TX	RX				
12F-01NL	DIL(16)	-1.0	-30	-15	-35	-20	-15	-30	-35	-30
14F-01NL	DIL(16)	-1.0	-30	-15	-35	-20	-15	-30	-35	-30



Markings and Dimensions



UNIT:mm Unless other specified, all tolerances are ±0.25

PIN Connection

12F-01

14F-01

